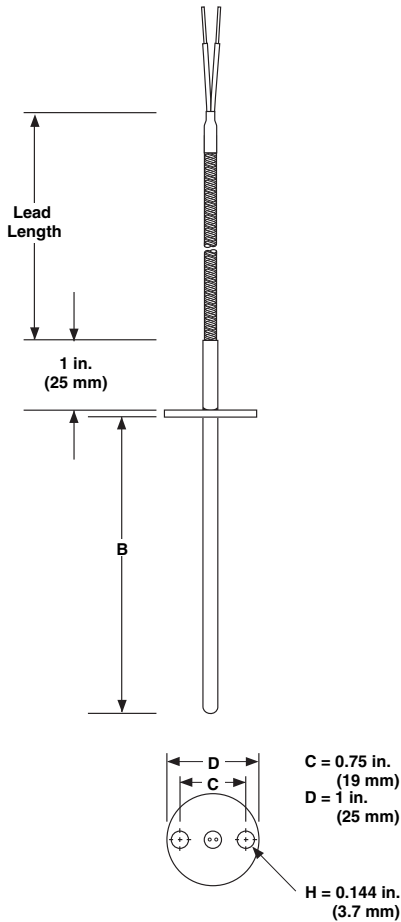


Thermocouples

General Applications

Flange Style 25



The flanged thermocouple allows rapid assembly and low profile when going through bulkheads.

*Not available with 1/8 inch diameter sheath.

Metric sizes available for made-to-order units, consult factory. Minimum order quantity may apply.

Rapid Ship Sensors

Rapid Ship sensors come with 3/16 inch diameter sheath, 24 gauge stranded fiberglass lead with stainless steel overbraid, grounded junction and a split lead termination.

Calibration	"B" Dimension in. (mm)	Lead Length in. (mm)	Part Number
J	2 (51)	48 (1219)	25DJSGD048A
		96 (2438)	25DJSGD096A
	4 (102)	48 (1219)	25DJSGH048A
		96 (2438)	25DJSGH096A

Custom Ordering Information—Items in **Bolded Green Type** are preferred with shorter lead times.

	1	2	3	4	5	6	7	8	9	10	11
	2	5									
1-2. Construction Style	25 = Thermocouple with flange										
3. Sheath Diameter (inch), 316 SS	C = 1/8 T = 3/16 epoxy sealed 149°C (300°F) D = 3/16										
4. Calibration	J = Type J T = Type T K = Type K E = Type E										
5. Lead Protection	F = Fiberglass (24 gauge stranded) S = Fiberglass with stainless steel overbraid (24 gauge stranded) H = Fiberglass with stainless steel hose (24 gauge stranded) *P = Fiberglass (20 gauge stranded) *B = Fiberglass with stainless steel overbraid (20 gauge stranded) *C = Fiberglass with stainless steel hose (20 gauge stranded) T = PFA (24 gauge stranded) U = PFA with stainless steel overbraid (24 gauge stranded) K = PFA with stainless steel hose (24 gauge stranded) *V = PFA (20 gauge stranded) *W = PFA with stainless steel overbraid (20 gauge stranded) *Y = PFA with stainless steel hose (20 gauge stranded)										
6. Junction	F = Grounded, flat tip P = Ungrounded, drill point G = Grounded, round tip E = Exposed D = Grounded, drill point *H = Grounded, round tip, dual element R = Ungrounded, flat tip *S = Ungrounded, round tip, dual element U = Ungrounded, round tip										
7. "B" Dimension (inches)	D = 2 H = 4 M = 6 R = 8 W = 10 E = 2 1/2 J = 4 1/2 N = 6 1/2 S = 8 1/2 Y = 11 F = 3 K = 5 P = 7 T = 9 Z = 12 G = 3 1/2 L = 5 1/2 Q = 7 1/2 U = 9 1/2										
8-10. Lead Length (inches)	012, 024, 036, 040, 048, 060, 072, 079, 096 and 120 Available lengths: 006 to 360, over 360 consult factory										
11. Terminations/Options	A = Standard, 2 1/2 inch split leads B = 2 1/2 inch split leads with #6 spade lugs C = 2 1/2 inch split leads with #6 spade lugs and BX connector D = Standard male plug, quick disconnect E = Standard female jack, quick disconnect F = Miniature male plug, quick disconnect G = Miniature female jack, quick disconnect H = 1/4 inch push-on connector										